

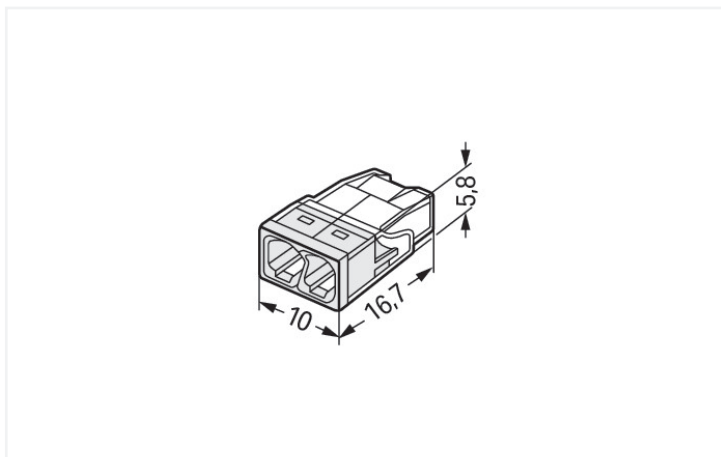
## Data Sheet | Item Number: 2273-202

Conector de îmbinare PUSH WIRE®; pentru conductori unifilari; max. 2,5 mm<sup>2</sup>; 2 conductori; carcasă transparentă; capac alb; Temperatură aer ambiant: max 60°C (T60); 2,50 mm<sup>2</sup>; transparent

<https://www.wago.com/2273-202>



Color:  transparent



Dimensions in mm

Push wire® splicing connector, 2273 Series, Push-in

Our push wire® splicing connector (item number 2273-202) is designed for seamless electrical installations. Quickly and securely connect conductors in any building installation with WAGO's 2273 Series PUSH WIRE® connectors, designed for both surface and flush-mounted junction boxes. Whether you intend to use them in private or commercial applications, this series of PUSH WIRE® connectors for junction boxes ensures simple and time-saving installations. Our splicing connector is rated for 450 V and is designed to handle a rated current of up to 24 A. It can therefore be used in high-load applications. Conductors should only be connected to push wire® splicing connector if their strip length is 11 mm. This product features conductor terminals and utilizes PUSH WIRE®. Our reliable PUSH WIRE® connection offers the fastest method for clamping conductors. It utilizes the conductor's stiffness to overcome the clamping spring's contact force. The dimensions are 10 x 5.8 x 16.7 mm (width x height x depth). Depending on the conductor type, push wire® splicing connector is designed for conductor cross sections ranging from 0.5 mm<sup>2</sup> to 2.5 mm<sup>2</sup>. Tin is used for coating the contact surfaces.

### Notes

General safety instructions

**NOTICE: Observe installation and safety instructions!**

- **Only to be used by electricians!**
- Do not work under voltage/load!
- Use only for proper use!
- Observe national regulations/standards/guidelines!
- Observe technical specifications for the products!
- Observe the number of permissible potentials!
- Do not use damaged/dirty components!
- Observe conductor types, cross-sections and strip lengths!
- Insert conductor until it hits the product's backstop!
- Use original accessories!

**To be sold only with installation instructions!**

in grounded power lines

Safety Information

## Electrical data

Ratings per	IEC/EN 60998			Approvals per	UL 486C		
Overvoltage category	III	III	II	Use group	B	C	D
Pollution degree	3	2	2	Rated voltage	-	-	-
Nominal voltage	-	-	450 V	Rated current	-	-	-
Rated surge voltage	-	-	4 kV				
Rated current	-	-	24 A				

## Connection data

Clamping units	2				
Total number of potentials	1				
				<b>Connection 1</b>	
				Connection technology	PUSH WIRE®
				Actuation type	Push-in
				Connectable conductor materials	Copper Aluminum
				Connectable conductor materials (note)	<p><b>Terminating Aluminum Conductors</b> WAGO Spring-Clamp Terminal Blocks are suitable for solid aluminum conductors up to 4 mm<sup>2</sup>/12 AWG if WAGO "Alu-Plus" Contact Paste <a href="#">249-130</a> is used for termination.</p> <p>"Alu-Plus" Contact Paste Advantages:</p> <ul style="list-style-type: none"> <li>• Automatically destroys the oxide film during clamping.</li> <li>• Prevents fresh oxidation at the clamping point.</li> <li>• Prevents electrolytic corrosion between aluminum and copper conductors (in the same terminal block).</li> <li>• Provides long-term protection against corrosion.</li> </ul> <p>For spring pressure connections with PUSH WIRE® connection technology, <b>WAGO recommends that the aluminum conductor first be cleaned</b> and then immediately inserted into the clamping unit filled with "Alu-Plus" contact paste.</p> <p>It is also possible to apply WAGO "Alu-Plus" <b>additionally</b> on the whole surface of the aluminum conductor before termination.</p> <p>Please note that the nominal currents must be adapted to the reduced conductivity of the aluminum conductors:: 2.5 mm<sup>2</sup> = 16 A 4 mm<sup>2</sup> = 22 A</p>
				Solid conductor	0,5 ... 2,5 mm <sup>2</sup> / 20 ... 16 AWG
				Strip length	11 mm / 0.43 inci
				Wiring direction	Side-entry wiring

## Physical data

Width	10 mm / 0.394 inci
Height	5,8 mm / 0.228 inci
Depth	16,7 mm / 0.657 inci

### Material data

Note (material data)

[Information on material specifications can be found here](#)

Color	transparent
Cover color	white
Material group	IIIa
Insulation material (main housing)	Polycarbonate (PC)
Flammability class per UL94	V2
Clamping spring material	Chrome-nickel spring steel (CrNi)
Contact material	Electrolytic copper (E <sub>Cu</sub> )
Contact Plating	Tin
Fire load	0.031 MJ
Weight	0.7 g

### Environmental requirements

Ambient temperature (operation)	+60 °C
Continuous operating temperature	105 °C
Temperature marking per EN 60998	T60

### Commercial data

Product Group	7 (Push Wire Conn.)
PU (SPU)	1000 (100) Buc.
Packaging type	Box
Country of origin	DE
GTIN	4050821027843
Customs tariff number	85369010000

### Product classification

UNSPSC	39121409
eCl@ss 10.0	27-14-11-04
eCl@ss 9.0	27-14-11-04
ETIM 9.0	EC000446
ETIM 8.0	EC000446
ECCN	NO US CLASSIFICATION

### Environmental Product Compliance

RoHS Compliance Status	Compliant, No Exemption
------------------------	-------------------------

### Approvals / Certificates

#### General approvals



Approval	Standard	Certificate Name
cULus_Listed_667F Underwriters Laboratories Inc.	UL 486C	E69654
VDE VDE Prüf- und Zertifizie- rungsinstitut	EN 60998	40029794

#### Declarations of conformity and manufacturer's declarations

Approval	Standard	Certificate Name
EU-Declaration of Confor- mity WAGO GmbH & Co. KG	-	-
UK-Declaration of Confor- mity WAGO GmbH & Co. KG	-	-

Approvals for marine applications



Approval	Standard	Certificate Name
ABS American Bureau of Ship- ping	-	15-HG1419918-PDA
DNV GL Det Norske Veritas, Ger- manischer Lloyd	EN 60998	TAE000015T
LR Lloyds Register	EN 60998	LR22207029TA

Downloads

Environmental Product Compliance

Compliance Search
Environmental Product Compliance 2273-202

Documentation

Bid Text			
2273-202	19.02.2019	xml 3.17 KB	
2273-202	17.05.2017	doc 24.50 KB	
ausschreiben.de 2273-202			

CAD/CAE-Data

CAD data
2D/3D Models 2273-202

CAE data
EPLAN Data Portal 2273-202
WSCAD Universe 2273-202
ZUKEN Portal 2273-202

## 1 Compatible Products

### 1.1 Optional Accessories

#### 1.1.1 General accessories

##### 1.1.1.1 Moisture protection



**Item No.: 207-1331**

Gelbox; Derivație; pentru cabluri; cu gel; Seriile 221, 2x73; conectori de max. 4 mm<sup>2</sup>; fără conectori pentru cutia de joncțiune; Mărimea 1; gri

**Item No.: 207-1332**

Gelbox; Derivație; pentru cabluri; cu gel; Seriiile 221, 2x73; conectori de max. 4 mm<sup>2</sup>; fără conectori pentru cutia de joncțiune; Mărimea 2; gri

**Item No.: 207-1333**

Gelbox; Derivație; pentru cabluri; cu gel; Seriiile 221, 2x73; conectori de max. 4 mm<sup>2</sup>; fără conectori pentru cutia de joncțiune; Mărimea 3; gri

### 1.1.2 Mounting adapter

#### 1.1.2.1 Mounting accessories



**Item No.: 2273-500**

Suport de montaj; pentru con. cu una și două linii; Seria 2273; pt mont. pe șină DIN 35/montare cu șurub; portocaliu

### 1.1.3 Tool

#### 1.1.3.1 "Alu-Plus" contact paste

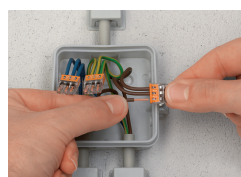


**Item No.: 249-130**

Seringă; Conținut: 20 ml de pastă de contact „Alu-Plus”

## Installation Notes

### Conductor termination



Strip solid conductor to 11 mm/0.43 inch (see marking).

The transparent housing shows if conductors are fully inserted; within the colored base, a clear port shows if the conductor's strip length is correct. Conductors are correctly stripped if the clear port shows no bare conductor on the unprinted connector side. Picture shows center conductor with exceeded strip length.

Termination: Insert the stripped solid conductor until it hits the backstop.

Removal: Hold conductor to be removed and twist alternately left and right while pulling the connector.

Testing



Testing via test port opposite to conductor entry.